

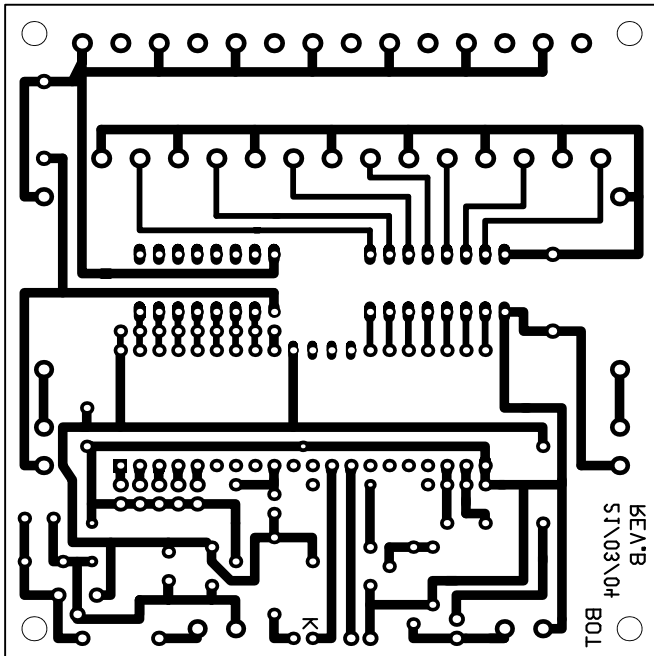
Drill tape data			
Tool Code	Hole Size	Sym bol	Hole Count

Board type: FR4
 Board thickness: .062"
 Copper weight: 2oz
 Layer count: 2

All dimensions are in inches.

Board should have green solder mask over bare copper (SMCBC) with white silk screening on top.

View is from the top side of the board.



Co:	AT89C52
Title:	Multimedial Electronic Crib
Board:	Lamps Controller
Revision:	B
Drawn:	Sergio Salvitti
Size:	A
Date:	21th Mar 2004
	Sheet 1 of 1